

KITCHEN COLLECTION



ARISTON

The way you care



PROUD PARTNERS OF
MASTERCHEF AUSTRALIA



*“When it comes to choosing home appliances,
I look for innovation and reliability.*

*I choose Ariston, a brand that I love and trust.
Ariston, celebrating over 20 years in Australia.”*

Gary Mehigan
Celebrity Chef

CONTENTS

BUILT-IN OVEN COLLECTION	02
PROJECT RANGE - OVENS	12
BUILT-IN COMPACT COLLECTION	14
GAS HOBS	22
INDUCTION & GLASS CERAMIC HOBS	28
FREESTANDING COOKERS	34
RANGEHOODS	42
REFRIGERATION	46
DISHWASHERS	52



ARISTON

ARISTON

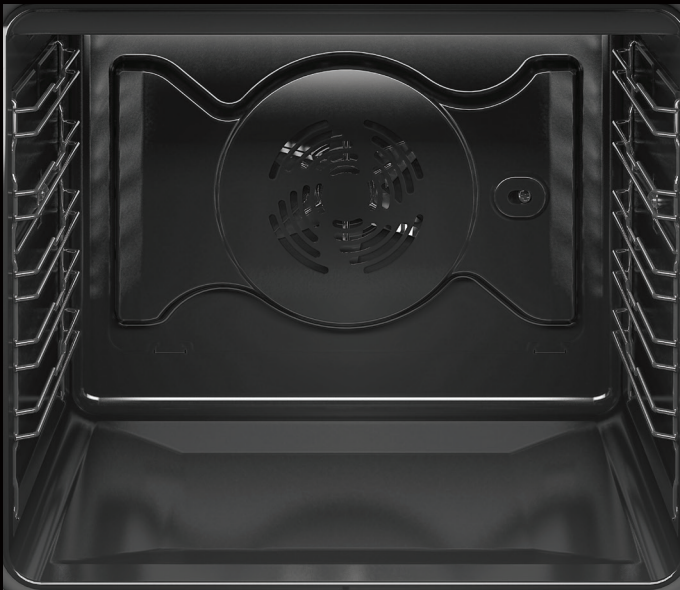
BUILT-IN OVEN COLLECTION



MULTIFLOW TECHNOLOGY

BOW-TIE BAFFLE

Ariston's new ovens are designed to give you free reign in your desire to try things out, letting you express your creativity in the kitchen with consistently excellent results. Perfect cooking, on both the inside and outside of the food, enhancing the flavour and fragrance of every recipe. All thanks to an integrated system of advanced technology.



Perfectly even cooking results. A new convection system that creates an enveloping heat flow for optimal heat distribution throughout the oven. This ensures consistently even cooking for perfectly served dishes every time.

Electronic control and cutting edge fan system with optimized rear panel for optimal distribution of heat flow inside the oven, without recirculation areas.



Applies to specific models only.



MULTIRECIPES

28 AUTOMATIC PRESET RECIPES

Enjoy perfectly cooked dishes with 28 automatic pre-set recipes selected using the intuitive touch controls.

PASTA

Lasagna Cannelloni
Crepes Au Gratin

MEAT & POULTRY

Leg of Lamb
Kebabs
Roast Chicken
Chicken Breast

SIDE DISHES

Roast Potatoes
Potato Au Gratin
Vegetable Au Gratin
Stuffed Peppers

CAKES

Pear & Chocolate Cake
Marble Cake
Cheese Cake
Yoghurt Cake

VEGETARIAN DISHES

Vegetarian Strudel Aubergine
Au Gratin
Tomato Gratin

FISH

Grilled Trout
Salmon with Herbs
Fish Fillets in Hazelnut Crust

PIZZA & PIE

Pizza
2 Pan Pizza
Vegetable Pie Quiche Lorraine

DESSERTS

Fruit Tart Strudel
Apple Pie



Applies to specific models only.

SPECIAL FEATURES



TILTED GRILL



Thorough cleaning throughout the oven: simply unhook the upper grill and carefully clean the surface above it.



MEAT PROBE



Insert the meat probe prior to cooking and monitor the temperature during the cooking process. An audible signal will sound and the display will indicate when the probe has reached the requested temperature.



SOFT CLOSE DOOR



The soft-closing device is a system that uses next-generation hinges to gently shut the oven door, and prevent it from banging.



TELESCOPIC GUIDES



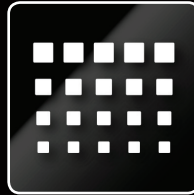
Move things in and out of the oven simply and safely with extendable telescopic shelves - so you can baste, taste and stir, safe in the knowledge the shelf won't tip.

Applies to specific models only.

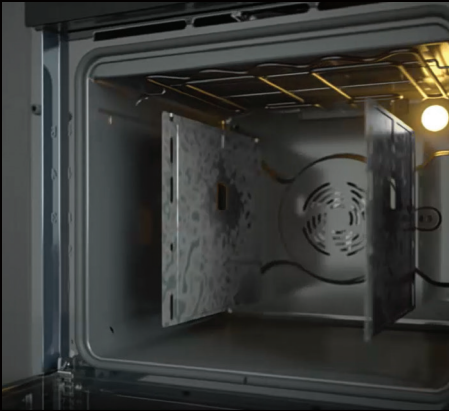
SPECIAL FEATURES



PYROLYTIC CLEANING



Ariston ovens have two automatic pyrolytic cycles that need no chemical products, thanks to the temperature of 470° C that reduces the grease to ash. The residue ash can then be easily removed using a damp cloth.



CATALYTIC CLEANING



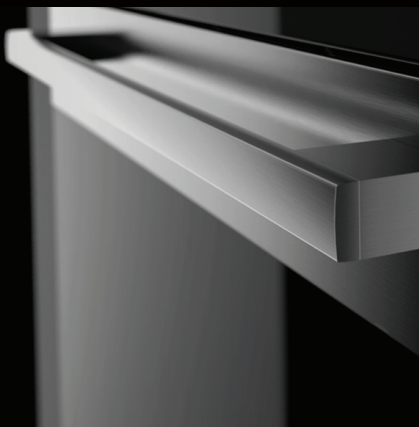
Liners can be easily removed and placed in the dishwasher for cleaning.



DIAMOND CLEANING



Diamond Clean is the exclusive technology that uses the strength of steam to clean the oven without requiring detergents. The entire oven has a special coating with cleaning properties that are activated during the steam clean cycle that reaches a temperature of 90° and lasts just 35 minutes. A solution that guarantees notable energy savings and is environmentally friendly. Thanks to a combination of thermal and mechanical effects, the stains are softened and are transformed, so at the end of the cycle, they can be easily removed using a damp cloth. The oven remains shiny because of the special coating, while the exclusive treatment on the door always keeps the glass clean and halo free.



ANTI-FINGERPRINT SURFACE



The steel finish has a stain-proof and fingerprint-resistant finish. Even when used on a daily basis, the surface remains gleaming and bright.

Applies to specific models only.

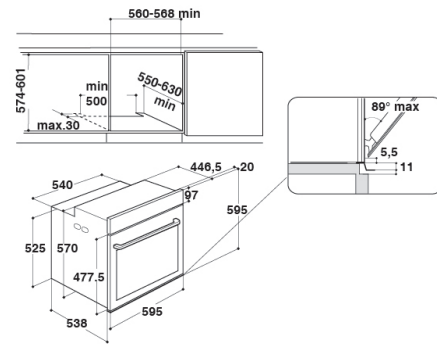


FI7 891 SP IX A AUS



60CM BUILT-IN OVEN

- Touch Control
- Pyrolytic Cleaning
- Cooking Programs:
Fast preheat, Pizza / Bread, Conventional, Defrosting, Forced air, Turbo fan, Grill, Turbo Grill, Motorized Spit + 28 Built in recipes
- 81lt gross capacity
- 73lt net capacity
- Rotisserie
- Meat probe
- Telescopic rails
- Soft close door
- Fully programmable
- Multiflow technology
- 5 year warranty

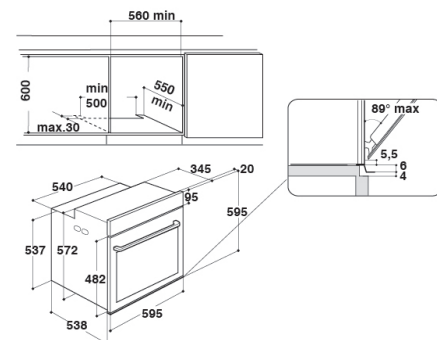


FI7 871 SC IX A AUS



60CM BUILT-IN OVEN

- Touch Control
- Catalytic Cleaning
- Cooking Programs:
Fast preheat, Pizza / Bread, Conventional, Defrosting, Forced air, Turbo fan, Grill, Turbo Grill
- Fully programmable clock and timer
- 81lt gross capacity
- 73lt net capacity
- Soft close door
- Telescopic rails
- Fully programmable
- Multiflow technology
- 5 year warranty



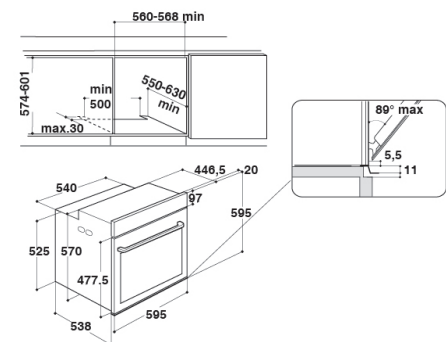


FI5 854 P IX A AUS



60CM BUILT-IN OVEN

- Touch Control
- Pyrolytic Cleaning
- Cooking Programs: Fast preheat, Pizza / Bread, Conventional, Defrost, Forced air, Turbo fan, Grill, Turbo Grill,
- 2 Grids offer a great way of ensuring you achieve an even bake and utilise your whole oven
- Fully programmable clock and timer
- 81lt gross capacity
- 73lt net capacity
- Multiflow technology
- Stainless steel
- 5 year warranty

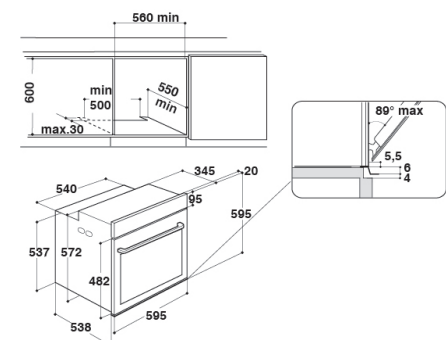


FI5 854 C IX A AUS



60CM BUILT-IN OVEN

- Touch Control
- Catalytic Cleaning
- Cooking Programs: Fast preheat, Pizza / Bread, Conventional, Defrosting, Forced air, Turbo fan, Grill, Turbo grill, Grill tilting
- 2 Grids offer a great way of ensuring you achieve an even bake and utilise your whole oven
- Fully programmable clock and timer
- 81lt gross capacity
- 73lt net capacity
- Multiflow technology
- Stainless steel
- 5 year warranty



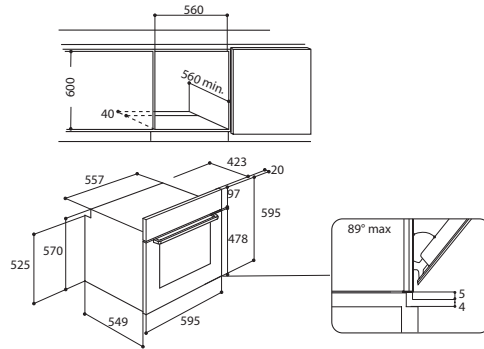


FA5 834 H IX A AUS



60CM BUILT-IN OVEN

- Diamond Cleaning
- Cooking Programs: Pizza, bread, conventional, fan forced, grill, turbo grill.
- The upper grill element tilts down at an angle for easy cleaning of the top cavity.
- 77lt gross capacity
- 71lt net capacity
- Minute minder
- Stainless steel
- 5 year warranty



MAXI OVEN

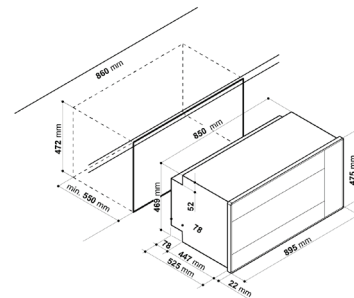


MB91.IX



90CM BUILT-IN MULTIFUNCTION 7

- Knobs
- Catalytic Cleaning
- Programmable Clock
- Cooking Programs: Traditional, Lower Heating Element, Upper Heating Element, Grill, Gratin, Pastries & Multi-level
- 90lt capacity
- Rotisserie
- 1 Tray, 2 Grids
- Stainless steel
- 5 year warranty





DK 892 CX AUS



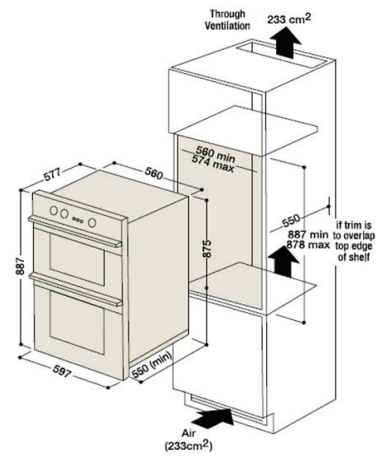
60CM DOUBLE OVEN

Main oven

- Multifunction 8
- Electronic Knobs + Touch Buttons
- Catalytic cleaning
- Cooking Programs: Cakes, Fish, Rising, Multilevel, Bread, Roast meat, Traditional, Variable Grilling
- 78 l capacity
- 1 Deep Tray, 2 Grids, Anti-Splash Tray

Second oven

- Static
- Catalytic cleaning
- Cooking Programs: Grill, Traditional, Twin grill
- 37 l capacity
- 1 Grids, Kit Grill Pan
- 5 year Warranty





FA2 844 P IX A



60CM BUILT-IN PYROLYTIC OVEN

- Electronic Knobs + Touch Buttons
- Pyrolytic Cleaning
- Programmable
- Cooking Programs: Fast preheat, Pizza / Bread, Conventional, Defrosting, Forced air, Turbo fan, Grill, Turbo Grill,
- 2 Grids offer a great way of ensuring you achieve an even bake and utilise your whole oven
- Digital clock and timer
- 77lt gross capacity
- 71lt net capacity
- Stainless Steel
- 5 year warranty



FA2 844 H IX A



60CM BUILT-IN OVEN

- Electronic Knobs + Touch Buttons
- Diamond Cleaning
- Programmable
- Tilt down grill
- Cooking Programs: Fast preheat, Pizza / Bread, Conventional, Defrost, Forced air, Turbo fan, Grill, Turbo Grill,
- Digital clock and timer
- 77lt gross capacity
- 71lt net capacity
- Stainless Steel
- 5 year warranty



FA3 844 H IX A



60CM BUILT-IN OVEN

- Electronic Knobs + Touch Buttons
- Diamond Cleaning
- Programmable
- Tilt down grill
- Cooking Programs: Fast preheat, Pizza / Bread, Conventional, Defrosting, Forced air, Turbo fan, Grill, Turbo Grill
- Digital clock and timer
- 77lt gross capacity
- 71lt net capacity
- Stainless Steel
- 5 year warranty



FA2 834 H IX A



60CM BUILT-IN OVEN

- Electronic Knobs + Touch Buttons
- Diamond Cleaning
- Tilt down grill
- Cooking Programs: Fast preheat, Pizza / Bread, Conventional, Defrosting, Forced air, Turbo fan, Grill, Turbo Grill
- Manual clock and timer
- 77lt gross capacity
- 71lt net capacity
- Stainless Steel
- 5 year warranty

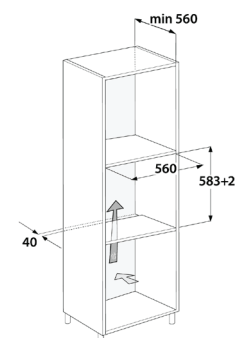
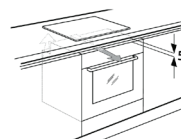
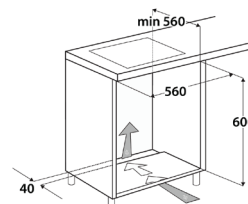
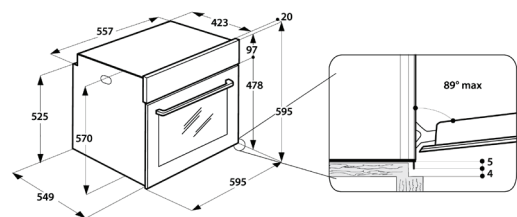


FA3 834 H IX A



60CM BUILT-IN OVEN

- Electronic Knobs + Touch Buttons
- Diamond Cleaning
- Tilt down grill
- Cooking Programs: Fast preheat, Pizza / Bread, Conventional, Defrosting, Forced air, Turbo fan, Grill, Turbo Grill
- Manual clock and timer
- 77lt gross capacity
- 71lt net capacity
- Stainless Steel
- 5 year warranty





BUILT-IN COMPACT COLLECTION

MICROWAVE FEATURES



DYNAMIC CRISP



The Crisp plate, thanks to Multiwaves technology and the grill, quickly reaches the most suitable temperature for browning and making the food crispy, even on the bottom. It is ideal for cooking roasts, pizzas, omelettes and cakes. The grill, ideal for uniformly browning the top part of the food, is three times faster than a traditional grill and it uses less energy.



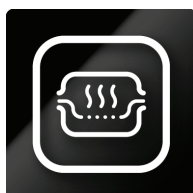
DYNAMIC DEFROST



This is the ideal system for defrosting food in an instant, almost immediately, thus preserving all the nutrients and preventing microbiological alterations. Just indicate the type of food and its weight: the oven will automatically calculate the time needed. The exclusive Multiwaves system guarantees uniform defrosting.



DYNAMIC STEAM



Ariston has also thought about people who love cooking healthy, low-calorie food: simply place the food in the steam pot accessory and select the cooking time. When the water begins to boil, a sensor constantly measures the degree of humidity in the food to allow the delicate steaming process. Thanks to the steam pot, the food loses nothing in consistency and is always cooked to perfection.



MULTI WAVES



Consistent and even cooking throughout your dish. Innovative technology perfects the microwave distribution inside the oven. This unique movement of the microwave means more even cooking, heating, and defrosting to ensure superior cooking quality, even when you're in a hurry.

Applies to specific models only.

COMBI-STEAM OVEN FEATURES



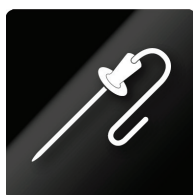
STEAM COOKING



Traditional cooking meets steaming: the perfect combination to cook food, perfect crispiness while maintaining its delicate flavor. Our new steam oven creates nutritious meals with perfect results. All the nutritional benefits of delicate steam cooking combined with the ability to crisp foods on the outside using a combination of the fan plus steam functions ensures delicious results.



MEAT PROBE

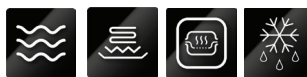


Insert the meat probe into your joint prior to cooking and monitor the temperature during the cooking process. An audible signal will sound and the display will indicate when the probe has reached the requested temperature.



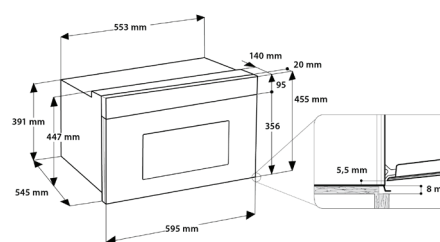


MP796 IX A



COMBI-MICROWAVE OVEN WITH DYNAMIC CRISP

- 40 lt capacity
- Touch Control
- 10 Power Levels
- Cooking combination: Dynamic Defrost, reheat, crisp, steam, rising, bread defrost
- 36cm Turntable
- Automatic cool-down
- Convection cooking
- Stylish stainless steel and black glass finish design

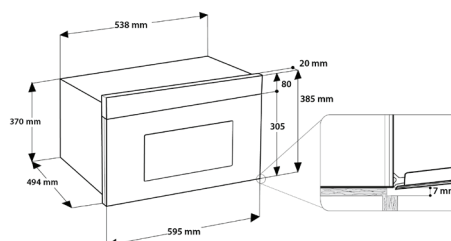


MD554 IX A



MICROWAVE WITH DYNAMIC CRISP

- 31 lt capacity
- Electronic timer with end cooking signal
- Cooking combination: Grill, Microwave, Microwave+Grill
- Drop down door
- 32cm Turntable diameter
- Automatic cool-down
- Front venting installation



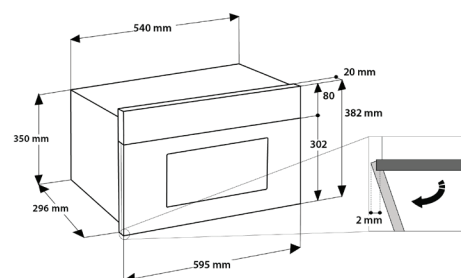


MN 313 IX A



MICROWAVE WITH GRILL

- 22 lt capacity
- Automatic cool down
- Features: Microwave, grill
- Electronic knobs with a touch control and digital display
- Electronic timer with end cooking signal
- Stylish stainless steel and black glass finish design
- Front venting installation



COMBI-STEAM

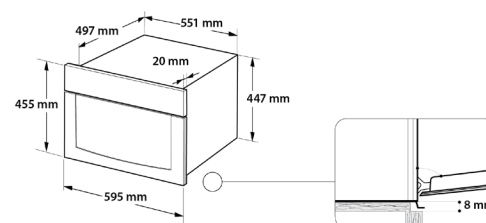


MS798 IX A



45CM COMBI-STEAM OVEN

- 31L capacity
- Automatic cool down
- Combi-Steam cooking
- Touch control and digital display
- Electronic timer with end cooking signal
- Defrost
- Meat probe



SPECIFICATIONS

BUILT-IN OVENS

Model	F17 891 SP IX A AUS	F17 871 SC IX A AUS	F15 854 P IX A AUS	F15 854 C IX A AUS	FA5 834 H IX A AUS
Main colour of product	Inox	Inox	Inox	Inox	Inox
Type of Display	LCD	LCD	LED	LED	No
UI Digits Color	White	White	White	White	N/A
Anti fingerprint	Silver ice	Silver ice	Silver ice	Silver ice	Silver ice
Type of control	Electronic	Electronic	Mechanical and electronic	Mechanical and electronic	Mechanical
Time control	Electronic	Electronic	Electronic	Electronic	Mechanical
Time-setting options	Start and Stop	Start and Stop	Start and Stop	Start and Stop	
Hinge type	Soft closing	Soft closing	Standard	Standard	Standard
Aesthetic	Class 7	Class 7	Class 5	Class 5	Class 5
Door Glasses Number	4	3	4	3	2
Knob color	N/A	N/A	Inox/Black	Inox/Black	Silver painted with inox cap
Cavity type	Flat	Flat	Flat	Flat	Flat
Cavity color	Grey	Grey	Black	Grey	Grey
Oven guides	Telescopic	Telescopic	Grids	Grids	Grids
Grids	2	2	2	2	2
No. of enamelled baking trays	1	1	1	1	1
No. of enamelled Deep trays	1	1	1	0	0
Integrated Cleaning system	Pyrolytic	Catalytic	Pyrolytic	Catalytic	Diamond Clean
Cooking functions	MF8	MF8	MF8	MF8	MF8
Multiflow Technology	Yes	Yes	Yes	Yes	Yes
Temperature control	Electronic	Electronic	Electronic	Electronic	Mechanical
Recipe Expert	Yes	Yes	Yes	Yes	No
Child lock	Electronic	Electronic	Electronic	Electronic	Yes
No preheating function	Yes	Yes	Yes	Yes	No
Fast preheat	Yes	Yes	Yes	Yes	No
Pizza / Bread	Yes	Yes	Yes	Yes	Yes
Conventional	Yes	Yes	Yes	Yes	Yes
Defrosting	Yes	Yes	Yes	Yes	Yes
Forced air	Yes	Yes	Yes	Yes	Yes
Turbo fan	Yes	Yes	Yes	Yes	Yes
Grill	Yes	Yes	Yes	Yes	Yes
Turbo grill	Yes	Yes	Yes	Yes	Yes
Motorized turn spit	Yes	No	No	No	No
Meat probe	Yes	No	No	No	No
Height of the product	595 mm	595 mm	595 mm	595 mm	595 mm
Depth of the product	538 mm	538 mm	538 mm	538 mm	549 mm
Width of the product	595 mm	595 mm	595 mm	595 mm	595 mm
Gross weight (kg)	38	38	38	38	36
Net weight (kg)	36	36	36	36	34
Voltage (V)	220-240	220-240	220-240	220-240	220-240
Frequency (Hz)	50-60	50-60	50-60	50-60	50-60
Current (A)	16	16	16	16	12
Type of energy	Electricity	Electricity	Electricity	Electricity	Electricity
Energy efficiency Class - NEW (2010/30/EC)	Electric	Electric	Electric	Electric	Electric
Electrical connection rating (W)	A+	A+	A+	A+	A+
Grill power (W) -	2450	2450	3650	3650	2450
Usable volume [of cavity] - NEW (2010/30/EC)	73	73	73	73	71
Gross volume [of cavity] - NEW (2010/30/EC)	81	81	81	81	77

MAXI / DOUBLE OVENS

Model	MB91X	DK892 CXAUS
Main cavity gross capacity (L)	90L	78L
Second cavity gross capacity (L)	N/A	37
Finish	Stainless steel	Stainless steel
Inner door	Full glass	Full glass
Type of controls	Knob + buttons	Knob + buttons
Function visualization	Graphics on the frontpanel	Graphics on the frontpanel
Cooking programming	Digital timer easy to use	Digital timer easy to use
Thermostat indicator	Yes	Yes
Oven on / off indicator	Oven light	Oven light
Main oven type	Multifunction 7	Multifunction 6
Main oven functions	Traditional, Lower Heating Element, Upper Heating Element, Grill, Gratin, Pastries, Multilevel	Traditional, Fan Forced, Fan Assist, Fan Grill, Full Grill, Half Grill
Second oven type	N/A	Multifunction 2
Second oven functions	N/A	Full Grill, Half Grill
Cleaning	Catalytic	Catalytic
Turnspit	Yes	No
Lighting type	Halogen	Halogen
Light position	1 on the side	1 on the side
Number of oven door glasses	3	3
Smoke chimney	Vented behind hob	Vented behind hob
Automatic cooking	No	No
Preselected temperature	No	No
Oven guide type	Stainless steel guides	Stainless steel guides
Main oven accessories	1 tray, 2 grids	"1 x grid, kit grill pan, roasting
Forced air	Yes	Yes
Door lock	No	No
Supply voltage (V)	240 V	240 V
Supply frequency (Hz)	50 Hz	50 Hz
Absorbed power (W)	3100 W	5100 W
Absorbed current (A)	13.4 A	21.25 A
Height (mm)	480 mm	887 mm
Width (mm)	895 mm	597 mm
Depth (mm)	552 mm	577 mm

45CM COMBI-STEAM OVEN

Model	MS 798 IX A
Usable volume [of cavity]	31
Steam regeneration	Yes
Steam Cooking	Yes
Steam Defrost	Yes
Display color	White
Descaling setting	Yes
Grids	1
Drip tray	Yes
Forced air	Yes
Height of the product	455 mm
Depth of the product	497 mm
Width of the product	595 mm
Gross weight (kg)	32.5
Net weight (kg)	27.7
Voltage (V)	240
Frequency (Hz)	50
FA power (W)	1400
Energy efficiency Class	A

Ariston reserves the right to change technical specifications without notice.

PROJECT OVENS

Model	FA2 844 P IX A AUS	FA2 844 H IX A AUS	FA2 834 H IX A AUS	FA3 844 H IX A AUS	FA3 834 H IX A AUS
Main colour of product	Inox	Inox	Inox	Inox	Inox
Type of Display	7 Segment	7 Segment	No	7 Segment	No
UI Digits Color	Amber	Amber	N/A	Amber	N/A
Anti fingerprint	No	No	No	No	No
Type of control	Electronic	Electronic	Mechanical	Electronic	Mechanical
Time control	Electronic	Electronic	Mechanical	Electronic	Mechanical
Hinge type	Standard	Standard	Standard	Standard	Standard
Door Glasses Number	3	2	2	2	2
Knob color	Silver painted with inox cap	Silver painted	Silver painted	Silver painted	Silver painted
Cavity type	Flat	Flat	Flat	Flat	Flat
Cavity color	Grey	Grey	Grey	Grey	Grey
Oven guides	Grids	Grids	Grids	Grids	Grids
Grids	2	2	2	1	1
No. of enamelled baking trays	1	1	1	1	1
Integrated Cleaning system	Pyrolytic	Diamond Clean	Diamond Clean	Diamond Clean	Diamond Clean
Cooking functions	MF8	MF8	MF5	MF5	MF5
Multiflow Technology	Yes	No	No	No	No
Multirecipes	No	No	No	No	No
Recipe Expert	Yes	Yes	Yes	Yes	Yes
Child lock	Yes	No	No	No	No
No preheating function	No	No	No	No	No
Fast preheat	No	No	No	No	No
Grill tilting	No	Yes	Yes	Yes	Yes
Motorized turn spit	No	No	No	No	No
Probe	No	No	No	No	No
Height of the product	595 mm	595 mm	595 mm	595 mm	595 mm
Depth of the product	549 mm	549 mm	549 mm	549 mm	549 mm
Width of the product	595 mm	595 mm	595 mm	595 mm	595 mm
Gross weight (kg)	38	38	36	33	34
Net weight (kg)	36	36	34	31	32
Voltage (V)	220-240	220-240	220-240	220-240	220-240
Frequency (Hz)	50-60	50-60	50-60	50-60	50-60
Current (A)	14	13	12	13	13
Type of energy	Electricity	Electricity	Electricity	Electricity	Electricity
Energy efficiencyClass - NEW (2010/30/EC)	Electric	Electric	Electric	Electric	Electric
Electrical connection rating (W)	3650	3650	3650	2900	3650
Grill power (W) -	2450	2450	2450	1800	2450
Usable volume (of cavity) - NEW (2010/30/EC)	71	71	71	71	71
Gross volume (of cavity) - NEW (2010/30/EC)	77	77	77	77	77

MICROWAVES

Model	MP 796 IX A	MD 554 IX	MN 313 IX A
Main colour of product	Inox	Inox	Inox
Display color	White	White	Amber
Type of grill	Heating element	Quartz	Quartz
Type of micro-wave oven	MW-Combi	MW+Grill function	MW+Grill function
Turntable	Yes	Yes	Yes
Turntable diameter (mm)	360	320	250
Child lock	Yes	Yes	Yes
Door opening	Handle	Handle	Button
Panel height	80	80	80
Panel Language	Symbols	Symbols	Symbols
Cavity capacity (l)	40	31	22
Cavity color	Stainless steel	Stainless steel	Grey
Anti fingerprint	Yes - Inoxmarket	Yes - Inoxmarket	No
Expert Cook Cycles	Yes	No	No
Multiwaves Technology	Yes	Yes	Yes
Dynamic Crisp	Yes	Yes	No
Dynamic Crisp plate	Yes	Yes	No
Dynamic Crisp handle	Yes	Yes	No
Dynamic Steam	Yes	No	No
Dynamic Air	Yes	No	No
Dynamic Air grid	Yes	No	No
Baking tray	Yes (black)	No	No
Dynamic defrost	Yes	Yes	Yes
Grill grid	Yes	Yes	Yes
Reheat	Yes	Yes	No
Rising	Yes	No	No
Warm keeping	Yes	No	No
Bread defrost	Yes	No	No
Height of the product	455 mm	385 mm	382 mm
Depth of the product	545 mm	494 mm	296 mm
Width of the product	595 mm	595 mm	595 mm
Gross weight (kg)	37	29	21.5
Net weight (kg)	35	27	21
Voltage (V)	240	230	230
Frequency (Hz)	50	50	50
Current (A)	16	10	10
Connection rating (W)	2800	2300	1900
Grill power (W)	1600	800	700
Maximum micro-wave power (W)	900	1000	750



GAS HOBS DIRECT FLAME

DIRECT FLAME.

A VERTICAL FLAME FOR EVENLY COOKED FOOD .

Unlike traditional burners with a radial flame that concentrate the heat in only some parts, Direct Flame burners, with their 420 micro-holes that vertically irradiate the flame, spread the heat evenly over the surface of the pan and reduce time and energy consumption to a minimum.



Standard Burner



Direct Flame

Applies to specific models only.



PKQ 755D GH (K)



75 CM HOB

- 5 gas burners Direct Flame
- 3 cast iron grids
- One-hand electronic ignition
- Flame Failure Device
- Natural Gas Only
- Black Glass with Cast Iron Grids

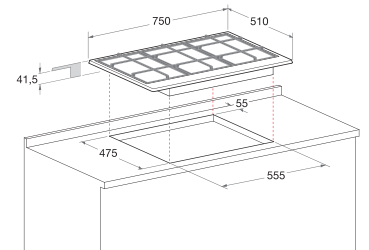


FTGHG 751 DA LPG



75 CM HOB

- 5 gas burners Direct Flame
- 3 cast iron grids
- One-hand electronic ignition
- Flame Failure Device
- LPG Only
- Black Glass with Cast Iron Grids



Model	FTGHG 751 DA LPG	PKQ755DGH (K)
Aesthetics	Luce	Luce
Knob colour	Black and inox	Black and inox
Burner cap	N/A	N/A
Location of control panel	Front	Front
Electronic ignition	Yes	Yes
Flame failure device	Yes	Yes
No. pan supports	3	3
Pan support type	Cast iron	Cast iron
No. gas burners	5	5
Left rear area-type	Semi Fast	Semi Fast
Left rear area-dimensions	132 mm	132 mm
Left rear area-power (MJ/h)	5	5
Right rear area-type	Semi Fast	Semi Fast
Right rear area-dimensions	132 mm	132 mm
Right rear area-power (MJ/h)	5	5
Middle area-type	Fast	Fast
Middle area-dimensions	157 mm	157 mm
Middle area-power (MJ/h)	7.5	7.5
Left front area-type	Auxiliary	Auxiliary
Left front area-dimensions	110 mm	110 mm
Left front area-power (MJ/h)	2.5	2.5
Right front area-type	Auxiliary	Auxiliary
Right front area-dimensions	110 mm	110 mm
Right front area-power (MJ/h)	2.5	2.5
Supply voltage (V)	220-240	220-240
Supply frequency (Hz)	50/60	50/60
Gas power (kW)	8.8	8.8
Fuses	Mono 230 V - 6 A	Mono 230 V - 6 A
Gas type	LPG ONLY	NG ONLY
Height (mm)	40 mm	40 mm
Width (mm)	750 mm	750 mm
Depth (mm)	520 mm	520 mm

GAS HOBS. FUNCTIONALITY AND AESTHETICS.

SPECIAL BURNERS. MAXIMUM FREEDOM IN THE KITCHEN.



DOUBLE FACE

The most flexible burner in the world consisting of two oval-shaped burners that can be rotated and used in two different trays ways, separately or together, Double Face is the perfect burner for fish kettles or large rectangular trays as well as small pans.



DOUBLE RING-DOUBLE REGULATION

This extremely versatile and powerful burner can be used to cook easily with different sized pots and pans by adjusting the flame independently on each crown (from 0.4 to 5 kW) (1.5 to 19mj).



TRIPLE RING

The Triple Crown burner, consisting of a single piece, is a Ariston innovation that guarantees even cooking that is up to 15% quicker than other rapid burners.

Model	PH960 TGH AUS	PK750R TGH AUS	PK 640R GH AUS	PC640 TGH	PC640 TX
Aesthetics	Standard	Luce	Luce	Luce	Luce
Knob colour	Stainless Steel	Stainless Steel	Stainless Steel	Stainless Steel	Stainless Steel
Burner cap	Cast iron	Cast iron	Enamelled	Cast Iron	Cast Iron
Location of control panel	Front	Front	Front	Front	Front
Electronic ignition	Yes	Yes	Yes	Yes	Yes
Flame failure device	Yes	Yes	Yes	Yes	Yes
No. pan supports	4	3	2	2	2
Pan support type	Cast iron	Cast iron	Cast iron	Enamel	Cast Iron
No. gas burners	6	5	4	4	4
Left rear area-type	Semi Fast	-	-	-	-
Left rear area-dimensions	75 mm	-	-	-	-
Left rear area-power (MJ/h)	6	-	-	-	-
Middle rear area-type	-	Semi Fast	Auxiliary	Auxiliary	Auxiliary
Middle rear area-dimensions	-	75 mm	65 mm	55	55
Middle rear area-power (MJ/h)	-	6	3.6	1000 (W)	1000 (W)
Right rear area-type	Auxiliary	-	-	-	-
Right rear area-dimensions	55 mm	-	-	-	-
Right rear area-power (MJ/h)	3.3	-	-	-	-
Left middle area-type	Triple Ring	Double Ring Double Regulation	Fast	Fast	Fast
Left middle area-dimensions	130 mm	130 mm	100 mm	100mm	100mm
Left middle area-power (MJ/h)	14.5	17	7.8	2600 (W)	2600 (W)
Middle area-type	-	-	-	-	-
Middle area-dimensions	-	-	-	-	-
Middle area-power (MJ/h)	-	-	-	-	-
Right middle area-type	Fast	Triple Ring	Double Ring Double Regulation	Triple Ring	Triple Ring
Right middle area-dimensions	100 mm	130 mm	130 mm	130 mm	130 mm
Right middle area-power (MJ/h)	9	13.5	17	3600 (W)	3600 (W)
Left front area-type	Double Face	-	-	-	-
Left front area-dimensions	92 X 62 mm	-	-	-	-
Left front area-power (MJ/h)	5	-	-	-	-
Middle front area-type	-	Auxiliary	Semi Fast	Semi Fast	Semi Fast
Middle front area-dimensions	-	75 mm	65 mm	75 mm	75 mm
Middle front area-power (MJ/h)	-	3.6	6	1650 (W)	1650 (W)
Right front area-type	Double Face	-	-	-	-
Right front area-dimensions	92 X 62 mm	-	-	-	-
Right front area-power (MJ/h)	5	-	-	-	-
Supply voltage (V)	230-240V	220-240V	220-240 V	220-240 V	220-240 V
Supply frequency (Hz)	50/60Hz	50/60	50/60 Hz	50/60 Hz	50/60 Hz
Gas power (kW)	11.5	11.25	8.85 kW	8.85	8.85
Fuses	Mono 230 V - 6 A	Mono 230 V - 6 A	Mono 230 V - 6 A	Mono 230 V - 6 A	Mono 230 V - 6 A
Gas type	NG or LPG	NG or LPG	NG or LPG	NG or LPG	NG or LPG
Height (mm)	33 mm	33 mm	43.9 mm	39 mm	59 mm
Width (mm)	870 mm	750 mm	650 mm	600 mm	590 mm
Depth (mm)	510 mm	510 mm	510 mm	510 mm	51 mm

Applies to specific models only.

GAS HOBS

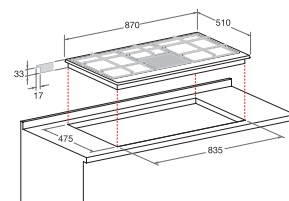


NEWSTYLE

PH960 TGH AUS

90 CM HOB

- 6 gas burners of which 2 Double Face and 1 Triple Ring (14.5mj)
- 4 cast iron grids
- One-hand electronic ignition
- Flame Failure Device
- Available in natural gas and LPG
- Stainless Steel with cast iron grids



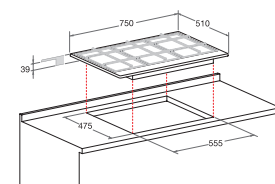
LUCE



PK750R TGH AUS

75 CM HOB

- 5 gas burners of which 1 Double Ring Double Regulation (17mj) and Triple Ring (13.5mj)
- 3 cast iron foldable grids
- One-hand electronic ignition
- Flame Failure Device
- Available in natural gas and LPG
- Stainless Steel with cast iron grids



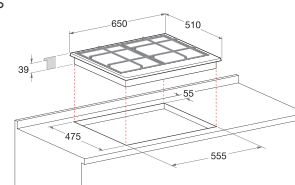
LUCE



PK 640R GH AUS

65 CM HOB

- 4 gas burners of which 1 Double Ring Double Regulation (17mj)
- 2 cast iron foldable grids
- One-hand electronic ignition
- Flame Failure Device
- Available in natural gas and LPG
- Stainless Steel with cast iron grids



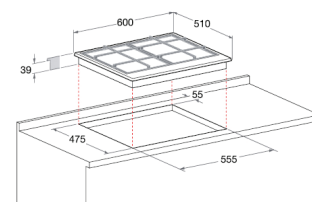
GAS HOBS - PROJECT RANGE



PC 640 TGH

65 CM HOB

- 4 gas burners
- 2 cast iron grids
- One-hand electronic ignition
- Flame Failure Device
- Stainless Steel with cast iron grids



PC 640TX

65 CM HOB

- 4 gas burners
- 2 enamel grids
- One-hand electronic ignition
- Flame Failure Device
- Stainless Steel with enamel grids



INDUCTION AND
GLASS CERAMIC HOBS

FLEXI ZONE

FLEXI ZONE. UNIFORM COOKING HAS NEVER BEEN SO PRECISE.

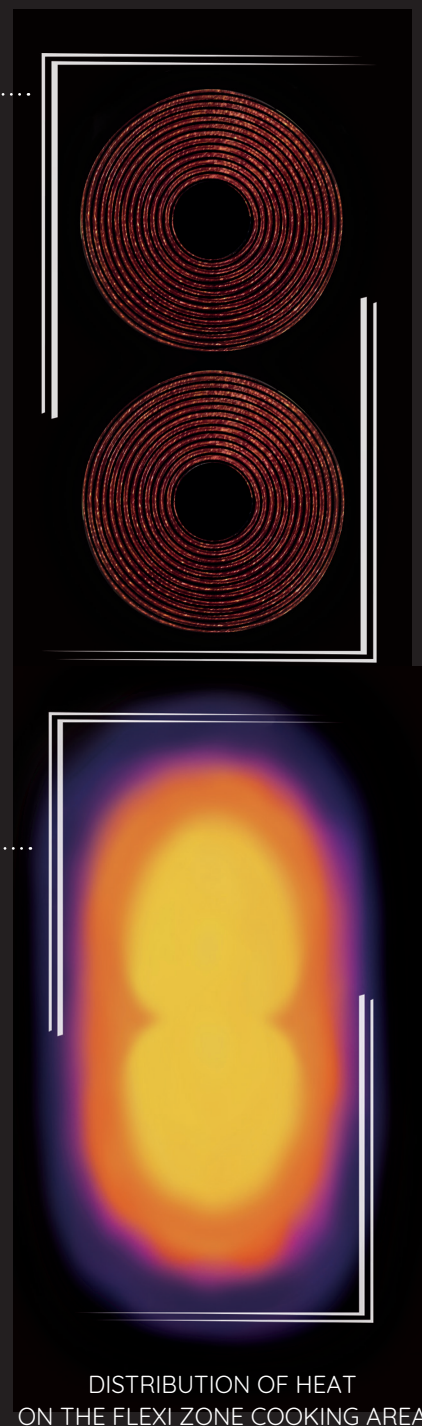
The innovative technology used in Ariston induction hobs offers a number of advantages: when the metal bottom of the pan comes into contact with the hob, a magnetic field is activated, that generates energy that is immediately transformed into an even heat source concentrated on the inside of the pan. This prevents heat dispersal and significantly reduces cooking times.

TWO INDUCTORS, DUAL OPERATING

There are two electronically connected inductors under the Flexi Zone cooking area that can operate together as a single maxi inductor or independently as two separate inductors. This dual operating is displayed in the control panel for the two areas where the button used to activate it is located.

MINIMUM TEMPERATURE CHANGES FOR EVENLY COOKED FOOD

The Flexi Zone induction hob gives high definition cooking results due to the minimum temperature changes within its area that result in perfectly even cooking. Laboratory tests have shown that temperature changes between all the points on the surface are minimum.



Applies to specific models only.

INDUCTION HOBS. DESIGN AND PERFECTION.

Ariston induction hobs meet the need for a modern, technologically advanced kitchen without having to give up the ease of use. With their intuitive functions and cooking speed, cooking all types of food becomes much simpler, with amazing results every time.

SLIDER CONTROL

With just one simple touch you can select the temperature and functions precisely and independently for each cooking zone. The front position of the controls makes using your Ariston hob even easier.

TIMER

You can set automatically switch on and off all the zones by setting the timer up to 99 minutes.

SAFETY.

Ariston is committed to the safety of all its users and has introduced a series of devices that guarantee maximum safety whenever the hobs are used.

PAN DETECTION

The plate only comes on when it comes into contact with the pan while the rest of the surface remains cold.

TIME LIMIT

If the hob is mistakenly left on, a device will automatically switch it off.

RESIDUAL HEAT WARNING LIGHTS

Ariston glass-ceramic hobs have special warning lights that indicate if a zone is still warm once the hob has been switched off. The warning lights switch off automatically when the temperature falls below 60°C.

SAFE AND EASY CLEANING

Since they remain cool even when cooking, induction hobs can be easily and safely cleaned. With no risk of burning yourself, simply wipe with a damp cloth to remove any food residue even immediately.

SELECTIVE DETECTION

With the selective detection function, the hob only comes on when it comes into contact with pans suitable for induction hobs. If a spoon or something else accidentally comes into contact with the hob, the selective detection function does not switch it on for maximum safety. An acoustic signal sounds if there are anomalies.

SAFETY LOCK

To avoid accidentally changing set controls and prevent children from switching them on, all Ariston induction and glass-ceramic hobs are fitted with a safety lock.

BOIL OVER CUT-OUT

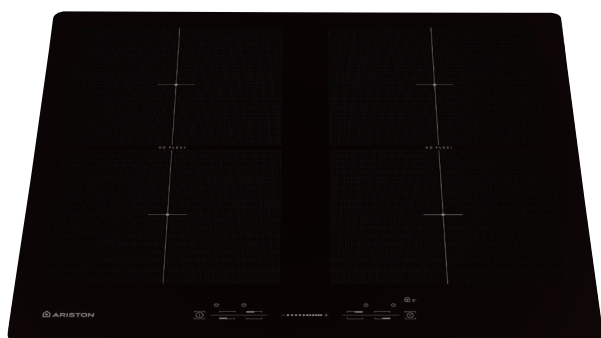
On glass-ceramic hobs, the boil over cut-out device automatically switches off the hob and emits an acoustic alarm when a liquid accidentally boils over from a pan and reaches the controls. If a metal object comes into contact with the hob, the hob is automatically switched off and an alarm sounds.

IT'S GREEN

All Ariston glass-ceramic and induction hobs respect the environment and people's health: They are manufactured using special "It's Green" glass-ceramic in a process that does not use arsenic or antimony.

Applies to specific models only.

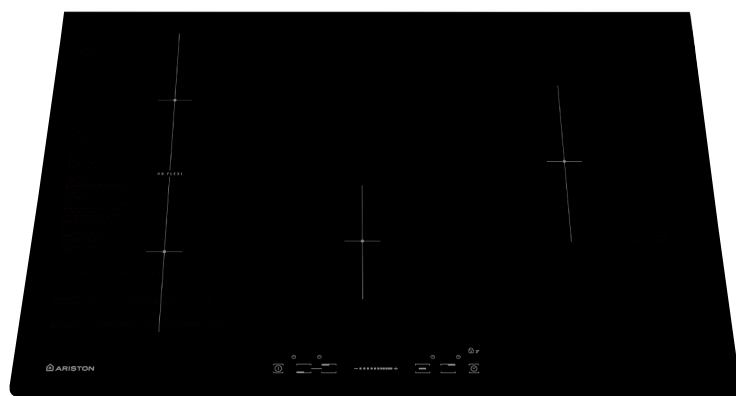
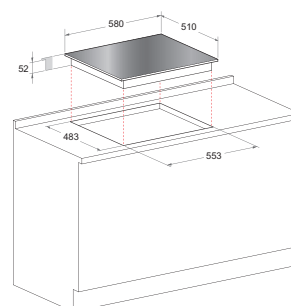
INDUCTION HOBS. DESIGN AND PERFECTION.



NIS 642 FB AUS

60 CM INDUCTION HOB

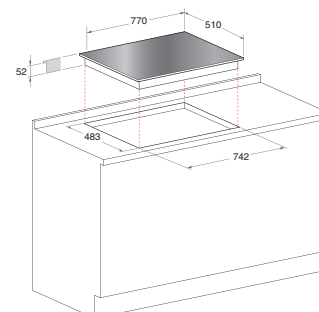
- 4 induction cooking surfaces
- 2 HD flexi zones
- Touch slider control
- Frameless design
- Timer



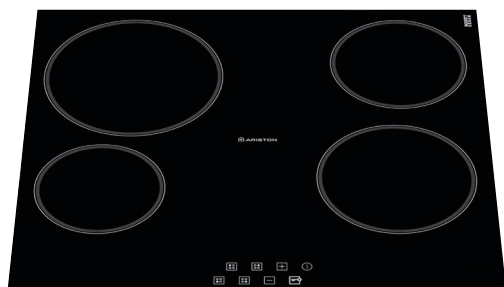
NIS 841 FB AUS

80 CM INDUCTION HOB

- 4 Induction cooking surfaces
- 1 HD flexi zone
- Touch slider control
- Frameless design
- Timer



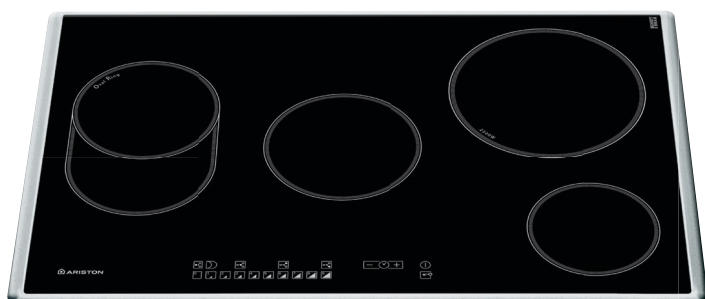
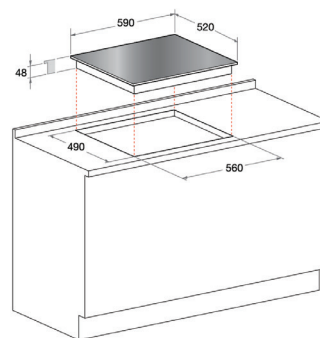
Model	NIS 642 FB AUS	NIS 841 FB AUS
Type	Induction	Induction
Finish	Black glass	Black glass
Edge	Frameless Design	Frameless Design
No. cooking zones	4	4
Control type	Touch slider control	Touch slider control
Location of controls	Front	Front
No. power levels	9	9
Timer	Yes	Yes
Pan detection	Yes	Yes
Boost function	Yes	Yes
On / off indicator	Yes - 4	Yes - 4
Residual heat indicators	Yes - 4	Yes - 4
Child lock	Yes	Yes
Front left (W)	1750-2400	1750-2400
Front right (W)	1750-2400	1750-2400
Rear left (W)	1750-2400	2200-3400
Rear right (W)	1750-2400	1200-1800
Supply voltage (V)	220-230/ 380-400 V	220-230/ 380-400 V
Supply frequency (Hz)	50 Hz	50 Hz
Absorbed power (W)	7200 W	7200 W
Absorbed current (A)	31.3 A	32 A
Height (mm)	52 mm	52 mm
Width (mm)	580 mm	770 mm
Depth (mm)	510 mm	510 mm



NRB 640 C

60 CM HOB

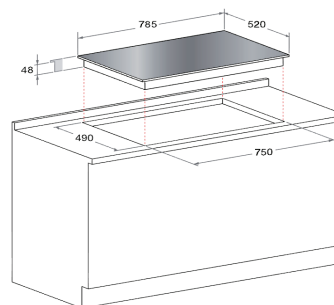
- 4 radiant Hilight cooking surfaces
- 9 power heating levels
- Touch control
- Frameless design
- Residual heat indicator



NRO 841 OX

80 CM HOB

- 4 radiant Hilight cooking surfaces
- 9 power heating levels
- Touch control
- Stainless steel edge
- Residual heat indicator



MODEL:	NRB 640C	NRO 841 OX
Type	Ceramic	Ceramic
Finish	Black Glass	Black glass
Edge	Standard	Stainless steel frame
No: Of Cooking Zones	4	4
Control Type	Touch Control	Touch control
Location Of Controls	Front	Front
No: Of Power Levels	9	9
On/Off Indicator	Yes - 4	Yes - 4
Residual Heat Indicators	Yes - 4	Yes - 4
Child Lock	Yes - 4	Yes
Front Left (W)	1200	-
Front Right (W)	1800	1200
Middle Left (W)	-	Oval 2400 / 1500
Middle (W)	-	1800
Rear Left (W)	2300	-
Rear Right (W)	1400	2300
Supply Voltage	220-240 V	220-230 V
Supply Frequency (V)	50/60 Hz	50 Hz
Absorbed Power (W)	6700 W	7700 W
Absorbed Current (A)	29.1 A	33.4 A
Height	48 mm	53 mm
Width	590 mm	800 mm
Depth	520 mm	520 mm



FREESTANDING COOKERS



CP 059 MDX



90CM PROFESSIONAL UPRIGHT COOKER

- 5 gas burners 19mj for the 2x2
- 1 hand electronic ignition
- Flame failure gas cut-off system
- 3 cast iron grids
- 8 electric cooking functions: Traditional, Multi-cooking, Barbeque, Gratin, Pizza, Baking, Grill (Rotisserie) & Defrosting
- Self-cleaning catalytic liners
- Integrated ventilation system
- 3 Oven glass doors
- Electronic start / end cooking
- Rotisserie
- 90 Lt gross oven capacity
- Energy Class: A
- Stainless steel



CP 859 MTX



80CM PROFESSIONAL UPRIGHT COOKER

- 5 gas burners 16mj for the triple ring
- 1 hand electronic ignition
- Flame failure gas cut-off system
- 3 cast iron grids
- 8 electric cooking functions: Traditional, Multi-cooking, Barbeque, Gratin, Pizza, Baking, Grill (Rotisserie) & Defrosting
- Self-cleaning catalytic liners
- Integrated ventilation system
- 3 oven glass doors
- Electronic start / end cooking
- Rotisserie
- 90 Lt gross oven capacity
- Energy Class: A
- Stainless steel



A6TMC2 X AUS



60CM FREESTANDING OVEN

- 4 Burner Gas Hob 13.5mj for the WOK
- Auto Ignition
- Flame Failure Safety Device
- 60 Lt gross oven capacity
- 11 Cooking Functions including: Grill, Gratin, Multi Level, Top Heat, Traditional
- Cast Iron Trivets
- Catalytic Liners
- Storage Drawer
- Minute Minder
- Energy Class: A
- Stainless steel



A64IMCA1(X) AUS



60CM PROFESSIONAL UPRIGHT COOKER

- Induction cooker with 4 elements
- 11 Cooking Functions Low Temperature, Eco Cycle, Cakes, Gratin, Grill, Multi-cooking, Bread, Pizza, Traditional, Light and Timer
- Catalytic liners
- Minute minder
- Storage drawer
- Stainless steel



A6VMH60X AUS



60CM PROFESSIONAL UPRIGHT COOKER

- Ceramic cooktop with 4 elements
- 11 Cooking functions: Fast cooking, Gratin & Grill, Light, Bottom Heating, Defrost Mode, Traditional Oven, Multilevel & Fan
- Minute minder
- Electric oven
- Storage drawer
- Hydro assisted cleaning
- Stainless steel



A6VMH60W AUS



60CM PROFESSIONAL UPRIGHT COOKER

- Ceramic cooktop with 4 elements
- 11 Cooking functions: Fast cooking, Gratin & Grill, Light, Bottom Heating, Defrost Mode, Traditional Oven, Multilevel & Fan
- Minute minder
- Electric oven
- Storage drawer
- Hydro assisted cleaning
- Colour: White

Model	CP059MDX	CP859MTX
MAIN OVEN		
Main oven gross capacity [L]	90L	90L
Main oven location	N/A	N/A
Main oven type	Multifunction 8	Multifunction 8
Main oven functions	Traditional, Multi Level, Barbeque, Gratin, Pizza, Baking, Grill, Defrost	Traditional, Multi Level, Barbeque, Gratin, Pizza, Baking, Grill, Defrost
No. of main oven door glasses	3	3
HOB		
Fascia colour	Stainless steel	Stainless steel
Knob colour	Stainless steel	Stainless steel
Warming draw	No	No
Storage draw	No	No
Type of regulation	Knobs	Knobs
Cooking programming	Electronic timer	Electronic timer
Function indicator	Graphics on front panel	Graphics on front panel
Thermostat indicator	Yes	Yes
Rotisserie	Yes	Yes
Hob ignition	Automatic	Automatic
Pan support type	Cast iron	Cast iron
No. of hob pan supports	3	3
Burner cap	Cast iron	Cast iron
Griddle plate	No	No
No. gas burners	5	5
Rear left area-type	Semi Fast	
Rear left area-dimensions	75 mm	75 mm
Rear left area-power [W]	1650W	1650W
Rear right area-type	Auxiliary	Auxiliary
Rear right area-dimensions	55 mm	55 mm
Rear right area-power [W]	1000W	1000W
Front left area-type	Semi Fast	Semi Fast
Front left area-dimensions	75 mm	75 mm
Front left area-power [W]	1650W	1650W
Middle area-type	Double Ring Double Regulator	Triple Ring
Middle area-dimensions	130 mm	130 mm
Middle area-power [W]	900W + 4100W	3250W
Front right area-type	Fast	Fast
Front right area-dimensions	100 mm	100 mm
Front right area-power [W]	3000W	3000W
Temperature control	Thermostat	Thermostat
Cleaning	Catalytic liners	Catalytic liners
Hob flame failure device	Yes	Yes
Cooling fan	Yes	Yes
Supply voltage [V]	230-240 V	230-240 V
Supply frequency [Hz]	50 Hz	50 Hz
Absorbed power [W]	3850-3105 W	3850-3105 W
Absorbed current [A]	12.39 A	12.39 A
Gas power [kW]	12.3 kW	10.55 kW
Gas type	NP or LPG	NP or LPG
Height [mm]	850 ~ 910 mm	850 ~ 910 mm
Width [mm]	900 mm	900 mm
Depth [mm]	600 mm	600 mm

SPECIFICATIONS

Model	A6TMC2 X AUS
MAIN OVEN	
Main oven gross capacity [L]	60L
Main oven location	Lower left
Main oven type	Fan
Main oven functions	Fan
No. of main oven door glasses	2
Type of main oven guides	Stainless steel guides
HOB	
Fascia colour	Black
Knob colour	Metallic
Warming draw	Yes
Storage draw	No
Type of regulation	Knobs
Cooking programming	Electronic timer
Function indicator	Graphics on front panel
Thermostat indicator	Yes
Rotisserie	No
Hob ignition	Button 2 hands
Pan support type	Cast iron
No. of hob pan supports	1
Burner cap	Enamelled
Griddle plate	Yes
No. gas burners	4
Rear left area-type	Semi Rapid
Rear left area-power [W]	6mj
Rear right area-type	Rapid
Rear right area-power [W]	8.2mj/h
Front left area-type	Wok
Front left area-power [W]	13.5mj/h
Front right area-type	Auxiliary
Front right area-power [W]	3.5mj/h
Temperature control	Thermostat
Cleaning	Catalytic liners
Hob flame failure device	Yes
Cooling fan	Yes
Supply voltage [V]	230-240 V
Supply frequency [Hz]	50 Hz
Gas type	NG or LPG
Height [mm]	930 mm
Width [mm]	595 mm
Depth [mm]	600 mm

Model	A64IMHCA1(X) AUS	A6VMH60X/W AUS
Main oven gross capacity (L)	58L	58L
Main oven location	N/A	N/A
Main oven type	Fan Forced	Fan Forced
Main oven functions	Low Temperature, Eco Cycle, Cakes, Gratin, Grill, Multi-cooking, Bread, Pizza, Traditional, Light and Timer	Fast Cooking,Gratin,Grill,Light,Multicooking,Pastries,Pizza,Bottom heating,Defrosting,Bottom with fan,Traditional
No. of main oven door glasses	2	2
Type of main oven guides	Stainless steel guides	N/A
Type of oven guides	Stainless steel guides	N/A
Fascia colour	Stainless Steel	White/Stainless Steel
Knob colour	Stainless steel	White/Stainless Steel
Warming draw	No	No
Storage draw	Yes	Yes
Type of regulation	Knobs	Knobs
Cooking programming	Electronic timer	Electronic timer
Function indicator	Graphics on front panel	Graphics on front panel
Thermostat indicator	Yes	Yes
Rotisserie	No	No
Hob ignition	Automatic Induction	Automatic Ceramic
Pan support type	Induction	Ceramic
Rear left area-type	Induction with Booster	Ceramic
Rear left area-dimensions	145mm	N/A
Rear left area-power	1200-B1600	1200-B1600
Middle rear area-type Auxiliary	N/A	N/A
Middle rear area-dimensions	N/A	N/A
Middle rear area-power	N/A	N/A
Rear right area-type	Induction with booster	Ceramic
Rear right area-dimensions	210mm	215
Rear right area-power	1500-B2000	2100
Front left area-type	Induction with booster	Ceramic
Front left area-dimensions	210mm	180mm
Front left area-power	1500-B2000	1700
Front right area-type	Induction with Booster	Ceramic
Front right area-dimensions	145mm	145mm
Front right area-power	1200-B1600	1200
Temperature control	Thermostat	Thermostat
Cleaning	Catalytic liners	Hydro Assist
Hob flame failure device	N/A	N/A
Cooling fan	Yes	Yes
Supply voltage (V)	230-240 V 240 V	230-240 V 240 V
Supply frequency (Hz)	50 Hz 50/60 Hz	50 Hz 50/60 Hz
Absorbed power (W)		8450
Absorbed current (A)	N/A	36.7
Gas power (kW)	N/A	N/A
Gas type	N/A	N/A
Height (mm)	900mm	900mm
Width (mm)	600mm	600mm
Depth (mm)	600mm	600mm

RANGEHOODS TO SUIT ALL KITCHENS

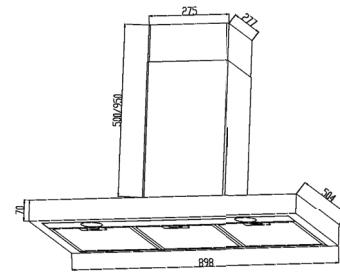




ACRH 90 BIX

90CM STAINLESS STEEL CANOPY HOOD

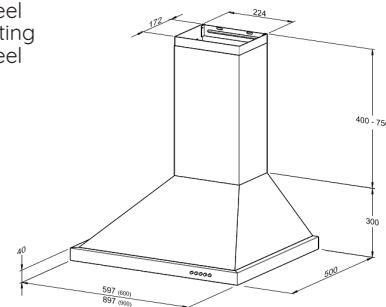
- 850m³/h Extraction Rate
- 3 Speed Settings + Booster
- Electronic Touch Controls
- 59dB Rating
- 2 x LED dimmable Lights
- Aluminium Grease Filter
- Stainless Steel
- 150mm Ducting
- Stainless Steel



RHC 90 IX

90CM STAINLESS STEEL CANOPY HOOD

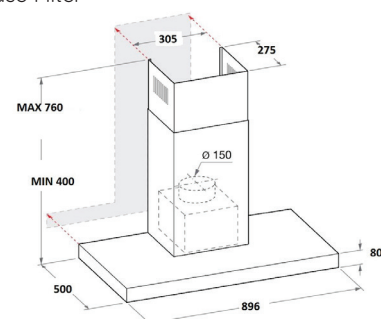
- 655m³/h Extraction Rate
- 3 Speed Settings
- Push Button Controls
- 66dB Rating
- 2 x Halogen Lights
- Aluminium Grease Filter
- Stainless Steel
- 150mm Ducting
- Stainless Steel



RHS 90 IX

90CM STAINLESS STEEL BOX CANOPY

- 655m³/h Extraction Rate
- 3 Speed Settings
- Push Button Controls
- 66dB Rating
- 2 x Halogen Lights
- Aluminium Grease Filter
- Stainless Steel
- 150mm Ducting
- Stainless Steel

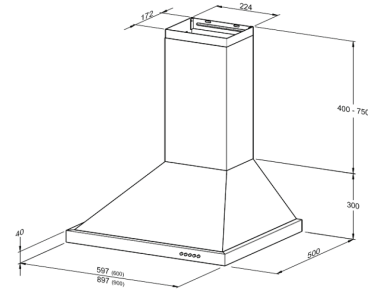




RHC 60 IX

60CM STAINLESS STEEL CANOPY HOOD

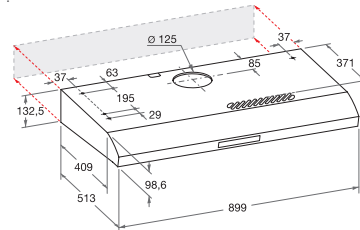
- 655m³/h Extraction Rate
- 3 Speed Settings
- Push Button Controls
- 66dB Rating
- 2 x Halogen Lights
- Aluminium Grease Filter
- Stainless Steel
- 150mm Ducting
- Stainless Steel



SL 19.1P IX

90 CM VISOR HOOD

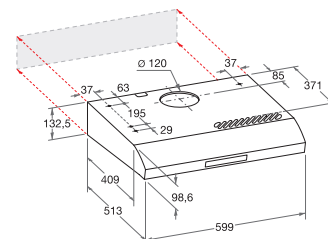
- Slider
- IEC extraction 420 (m³/h)
- Sound level 69 dB(A)
- No. of speeds: 3
- 2 x 40 Watt light
- 3 Self Supporting Aluminium filters
- Dishwashers friendly filters
- Stainless Steel



SL 16.1 P IX

60 CM VISOR HOOD

- Slider
- IEC extraction 420 (m³/h)
- Sound level 69 dB(A)
- No. of speeds: 3
- 2 x 20 Watt halogen lights
- 2 Self Supporting Aluminium filters
- Dishwashers friendly filters
- Stainless Steel

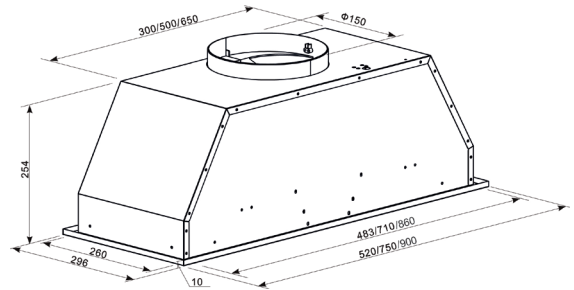




ARU52AX-L / ARU 75AX-L / ARU 90AX-L

52CM / 75CM / 90CM UNDERMOUNT HOOD

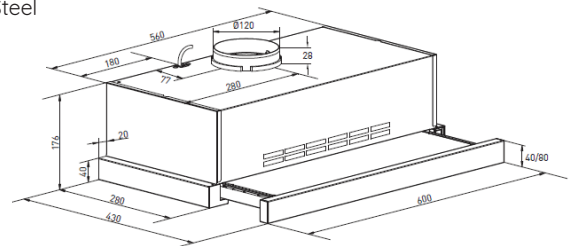
- 700 m³/h Extraction
- 50/53/58dB Noise rating
- 2 x Rear set LED lights
- 3 Speed settings
- 150mm Ducting
- Push button control
- 1 x Aluminium filter or optional Carbon Filter
- Stainless Steel



ARHS 60X-L

60CM SLIDE-OUT RANGEHOOD

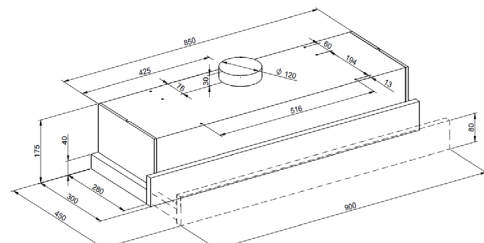
- 440m³/h Extraction
- 50.6dB Noise rating
- 2 x Rear set LED lights
- 2 Speed settings
- 120mm Ducting
- Mechanical control
- 1 x Aluminium filter
- White body with stainless fascia
- Ducted or front recirculating
- Stainless Steel



ARH9SIX-L

90CM SLIDE-OUT RANGEHOOD

- 450m³/h Extraction
- 2 x Rear set LED lights
- 2 Speed settings
- 120mm Ducting
- Mechanical control
- 1 x Aluminium filter
- White body with stainless fascia
- Ducted or front recirculating
- Stainless Steel





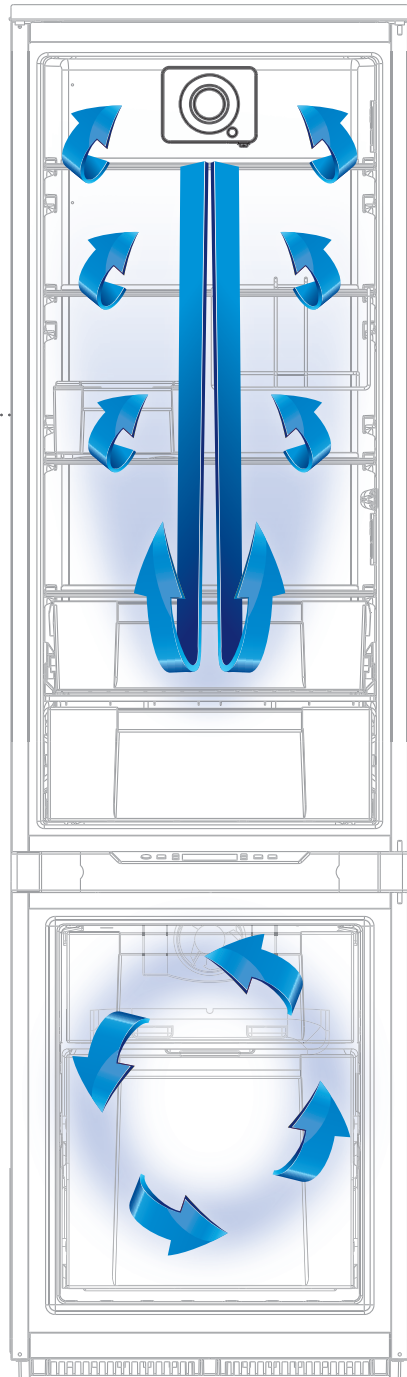
REFRIGERATION



AIR TECHNOLOGY VENTILATION. PERFECT AIR CIRCULATION.

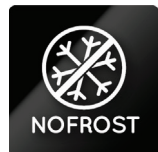
EVENLY DISTRIBUTED INTERNAL TEMPERATURE AT ALL TIMES

With its new AIR Technology dynamic ventilation, perfect air circulation system keeps the internal temperature constant and evenly distributed. The air circulates throughout the fridge maintaining the right level of humidity and preventing food from drying out.



NEW AIR TECHNOLOGY FAN

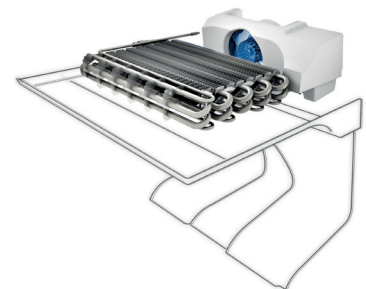
Its innovative, more linear and compact design reduces size and noise to a minimum.



NO FROST. FROST-FREE FOR LONGER FRESHNESS.

UNIFORM AIR CIRCULATION

With the No Frost system, a new fan on the rear wall of the freezer evenly distributes the cold humidity-free air which prevents frost formation and maintains food perfectly. Defrosting the freezer is a thing of the past; separate control of the air flow also prevents contamination of odours and flavours between the fridge and the freezer.



NEW NO FROST FAN

For higher performing forced ventilation.

NEW DISPLAY: SIMPLE AND INNOVATIVE.

The innovative and interactive digital display, which is ergonomic and easy to use, has been designed to make it even easier to select the Speed Cool, Super Freeze/Quick Freeze or Holiday functions with just one click. The new slanted level and enhanced lighting improve the visibility of the graphic interface and make it even easier to navigate through the menu or set the temperature.



HOLIDAY

With Holiday, if you are going to be away for some time, you can leave the fridge on and save a considerable amount of energy at the same time. The freezer continues to operate normally and a stand-by temperature is set in the empty fridge so that you can keep the door closed and the inside clean with no risk of mould or nasty smells.



SPEED COOL

Thanks to intelligent control of the AIR fan, Speed Cool instantly reduces the temperature of the fridge section and minimises temperature changes even when introducing food you have just bought. The function is automatically deactivated as soon as the temperature of the food returns to an optimum refrigeration level.

DUAL CONTROL

The Dual Control device can be used to set different temperatures for the fridge and freezer parts while using only one compressor.



QUICK FREEZE

This function, which is present in all No Frost models, can be used to freeze food much more quickly. The water in the food is transformed into micro ice crystals and this maintains the nutritional qualities of fresh and cooked food. After freezing, the temperature returns to the programmed level.

COOL DESIGN

FRESH ZONE

The new vegetable drawer has been enlarged: a 23 litre capacity and 20% more space than two separate drawers. A new lock system stops the drawer from coming out of its track and protects food from direct cooling. One version is available for all fridge models.



EXTRA SPACE

The new No Frost fridge/freezer models have a large freezer drawer which is even more spacious: 100% larger than a traditional drawer. The ideal place to store food of all sizes.



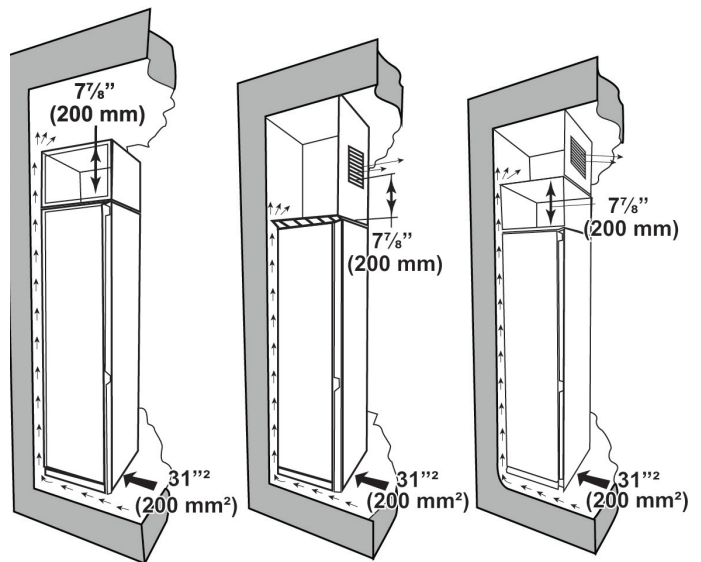
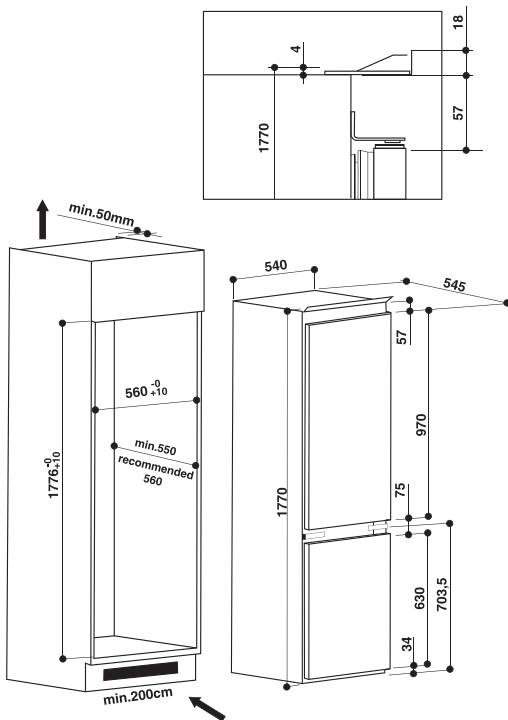


BCB 7030 F



INTEGRATED FRIDGE-FREEZER

- Digital Display
- Fully Integrated
- Tropical Climatic Class
- Total capacity 282 lt (204 lt fridge + 78 lt freezer)
- Open Door Acoustic Signal
- Hygiene Advance
- Fresh Box
- 4 glass shelves
- Maxi bottles
- Ice Tray
- Reversible doors



Model	BCB 7030 F (AUS)	
Total capacity	(l)	282
Fridge net capacity	(l)	204
Freezer capacity	(l)	78
Warranty		2 years
Fridge compartment		
User Interface		Electronic-Digit
Energy consumption per year	(kWh)	234
Climatic class		T
Cooling system		Global Air
Doors Reversibility		• (Right)
Special Features Accessories		Hygiene Advance, Quick Freeze, Speed Cool
Smell-absorbing filters		•
Open door acoustic signal		•
Condenser		Normal
Gas in the cooling circuit		R600
Fridge cooling system		Fan Air 2012
Fridge defrosting system		Automatic
No. of shelves		4
Fridge shelf type		BI Glass with alu profile
Meat box		Fresh Box
No. of salad crispers		1 BI Big crisper
Salad crisper colour		BI trasparente with alu profile
Salad crisper cover type		Glass
Internal Light		1 lateral light
Total No. of levels		4
Accessories		Maxi Bottles
Fridge Special Accessories		BI Fresh box on shelf
Freezer compartment		
Freezer cooling system		No Frost
Total No. of compartments		2
No. of ice trays		1
Independent regulation		•
Electronic control		•
Technical features		
Supply Voltage	(V)	220-240
Supply Frequency	(Hz)	50
Absorbed Current	(A)	16
Plug Type		Australian
Cable Length	(m)	2
Dimensions		
Height x Width x Depth	(cm)	177 x 54 x 54.5
Built-in hole H x W x D	(cm)	177.6 x 56 x 55



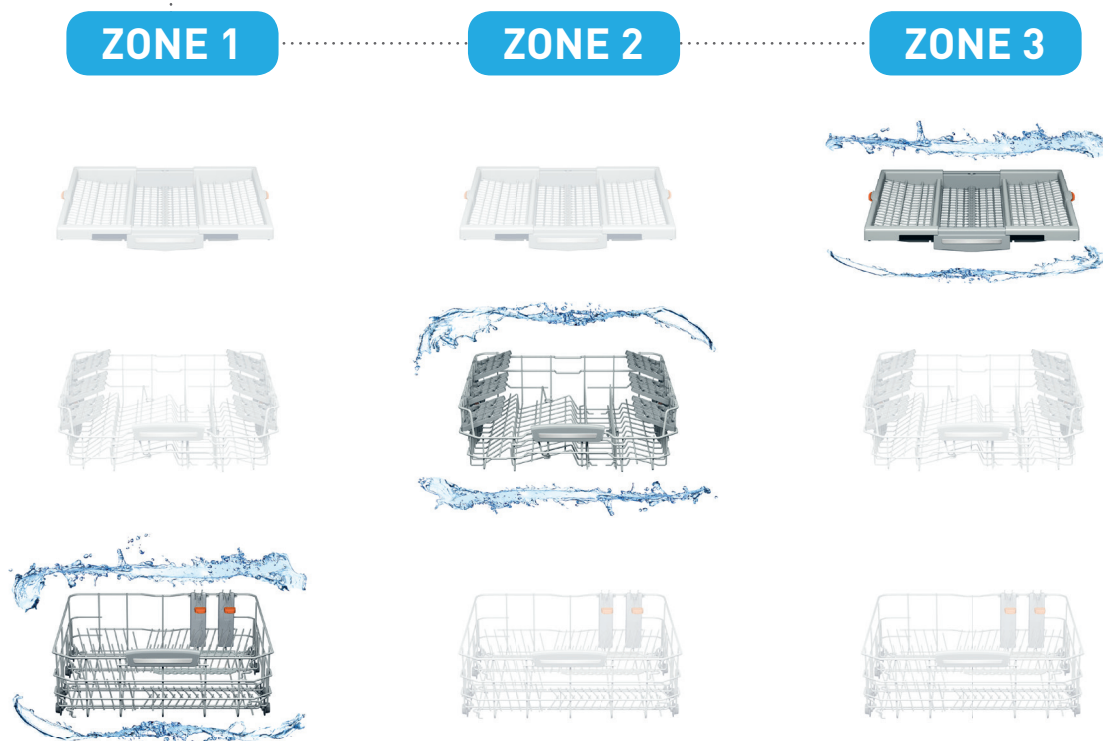
DISHWASHERS

ZONE WASH. CONCENTRATED POWER TO REMOVE THE MOST STUBBORN DIRT.



Removing stubborn dirt is now history. By simply selecting the zone to be washed, the **Zone Wash technology** by Ariston will focus its full cleaning power on the selected rack. The resulting effect is a **localised wash which removes all kinds of residues**, including the most stubborn dirt.

* On select models



30%
MORE EFFECTIVE

COMPARED TO A FULL-LOAD
INTENSIVE CYCLE



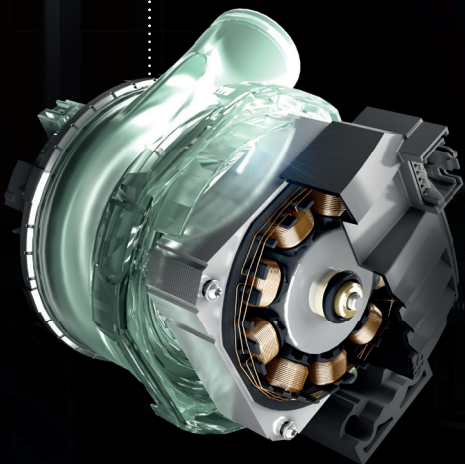
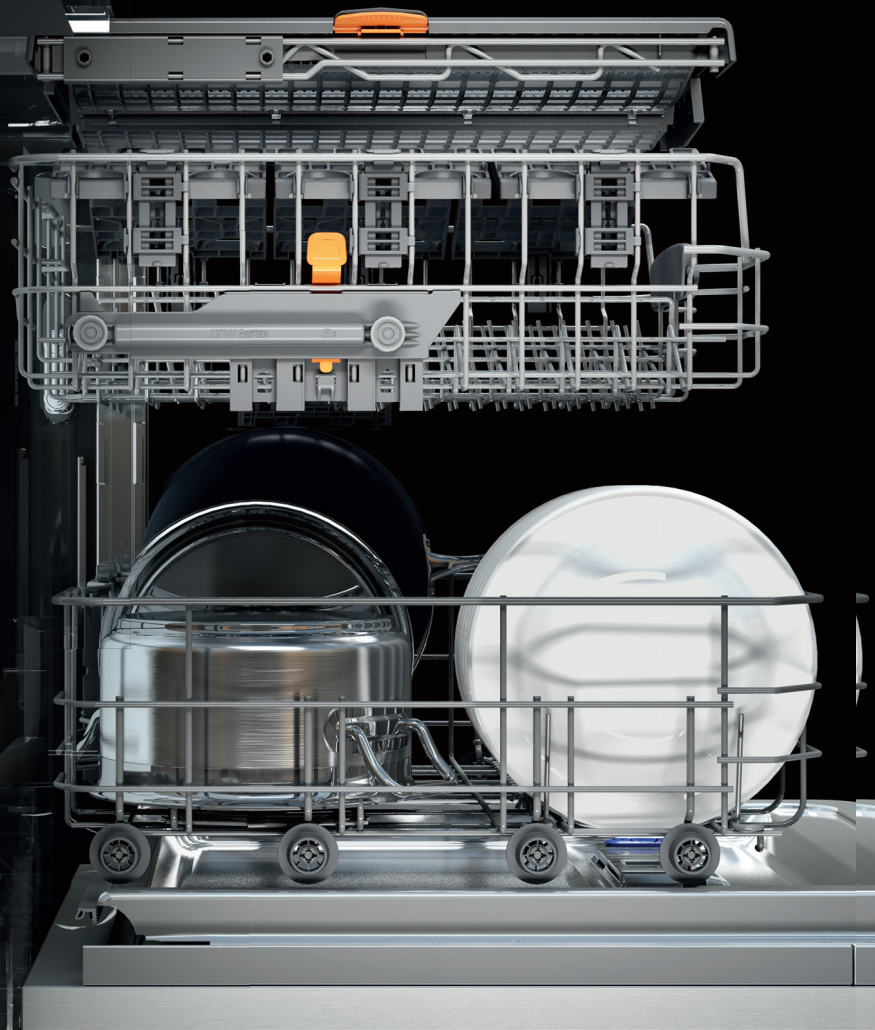
ZONE WASH. THE ZONE WASHING TECHNOLOGY.

Zone Wash allows for selecting the rack on which to focus the cleaning power in relation to the type of tableware items and their degree of dirt. It can be activated with both the intensive and normal cycle. With the intensive cycle, Zone Wash allows for performing an ultra-intensive wash that is 30% more effective compared to a full-load intensive cycle. With the normal cycle, Zone Wash performs a normal-intensity wash which reduces energy consumption by 25% compared to a normal full-load cycle.

FLEXI POWER

FLEXIPOWER MOTOR

The Flexipower variable-pressure motor allows for dosing the washing power in an optimally controlled way in every moment. It features improved performance thanks to a greater number of magnets (8 instead of 6), making power adjustment more fluid and stable during washing – even in difficult conditions, for example with partially obstructed filters.



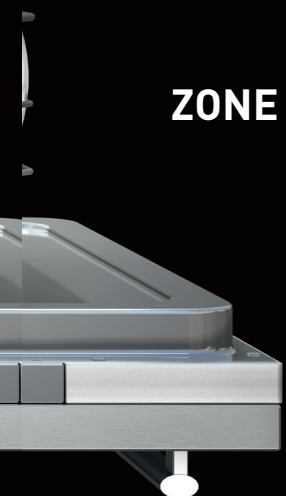
NEW HYDRAULIC SYSTEM WITH 3 SPRAYERS

The new hydraulic system is able to focus the maximum cleaning power on the selected wash zone. The 3 sprayers can be controlled separately, activated individually or simultaneously in pairs. They intervene on the chosen rack from above or below with the right degree of pressure.

ZONE 3

ZONE 2

ZONE 1

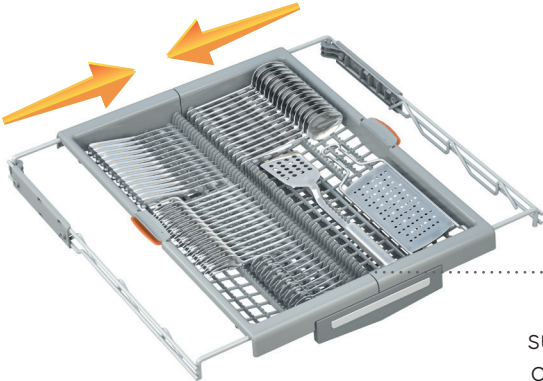


* On select models



FLEXILOAD. MAXIMUM FLEXIBILITY IN MANAGING SPACE.

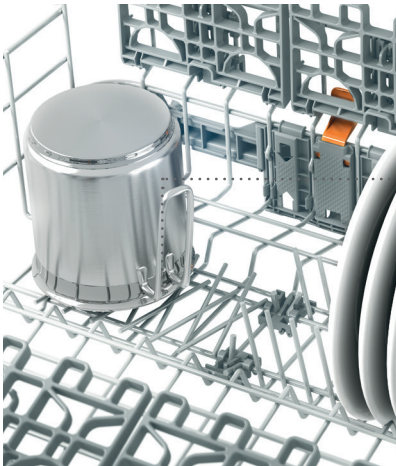
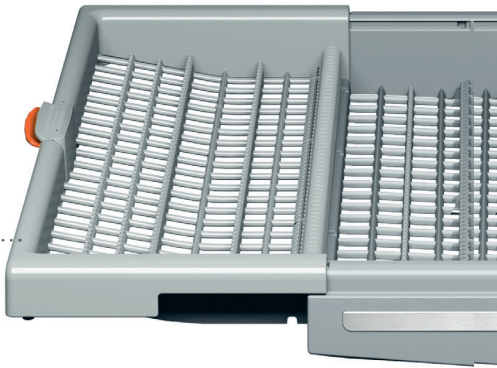
The new generation Flexiload system ensures maximum flexibility in loading up to 13, 14 or 15 place settings. Each configuration contains movable elements for arranging tableware items properly and effectively. The adjustment components are coloured to facilitate usage by the consumer.



ULTRA-FLEXIBLE THIRD RACK

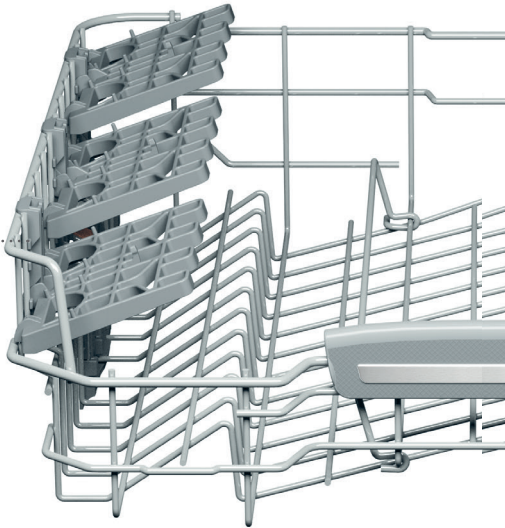
Sliding and modular, its surface can be reduced by one-third for placing bulky tableware items on the lower rack.

* On select models



FOLDING RACKS ON 2ND RACK

The upper rack includes 4 folding racks for storing small and medium size plates and glasses, or tableware items of various sizes.



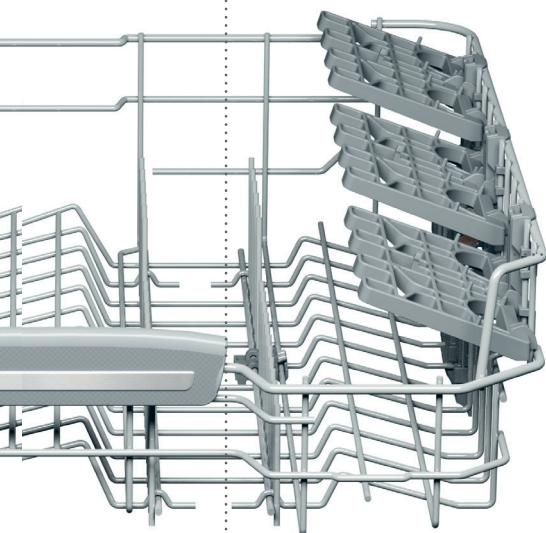
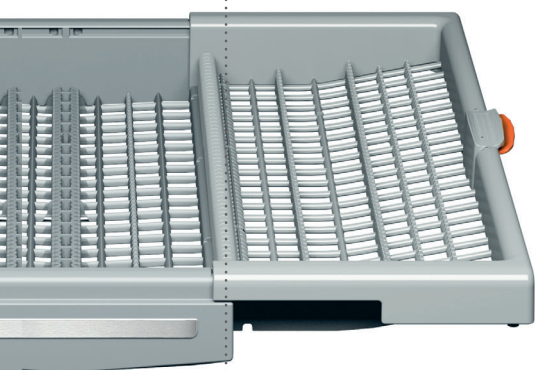
FOLDING RACKS ON 1ST RACK

The lower rack includes 8 folding racks which form 4 zones that can be managed separately, for housing the desired combination of pots or pans.



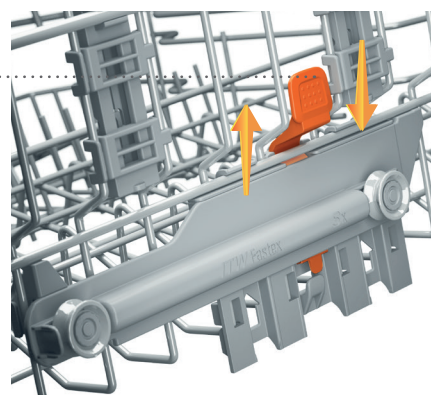
ERGONOMIC HANDLES

With stainless steel inserts for improved grip and easier rack removal. Available in the versions for 14 and 15 place settings.



LIFT-UP

All models of the range are equipped with the lift-up mechanism for raising or lowering the second rack by 3.5 cm, depending on loading requirements. Moreover, the upper rack has telescopic slides and ball bearings for smoother rack sliding.



CUTLERY TRAY

Alongside the customary cutlery rack, some models are equipped with a handy, sliding and removable cutlery tray for greater flexibility in arranging the load.



PROGRAMMES



ECO

The wash cycle to which the energy label data refers, the most efficient in terms of consumption for normally soiled tableware.



SOAK

A cold water option designed for eliminating encrusted food residues when washing is postponed to a later stage.

AUTOMATIC PROGRAMMES

Thanks to the Flexipower variable-pressure motor and Sensor System, the intelligent turbidity sensor, the wash performances are automated for saving water and energy, as the parameters are set according to the degree of dirt.



INTENSIVE

High pressure and temperature for heavily soiled tableware containing food encrustations.



NORMAL

Recommended for washing normally soiled tableware.



FAST

Up to 4 place settings, in addition to one large and one small pot, washed in approximately 60 minutes.



TRIO WASH

Designed for using different power levels depending on the rack, Trio Wash performs an intensive wash on the first rack and a normal wash on the other two racks.



DUO WASH

Two different treatments combined in a single programme: a delicate wash for glassware and tableware on the upper rack, a vigorous one for pots on the lower rack.



DELICATES

Its low temperature prevents thermal shocks from damaging glassware and crystal items.



EXPRESS 30'

For washing lightly soiled tableware soon after use, in merely 30 minutes.



GOODNIGHT

An even more silent cycle for using the dishwasher overnight.

FOR TOTAL HYGIENE



SANITISE

For washing and sanitising any kind of tableware in 80 minutes at high washing temperatures and without rinse aid release.



SELF-CLEAN

Removes, within 50 minutes, micro-organisms that could have developed inside the dishwasher. It is used with the appropriate dishwasher additive.

OPTIONS



ZONE WASH

Available in the two-level or three-level version, depending on the number of racks, it ensures maximum washing efficacy or energy saving by performing a localised wash on the selected rack. It can be activated with the intensive or normal programmes.



TABS

An option that maximises the efficacy of multi-purpose detergent tablets.



EXTRA DRY

Improves drying performance thanks to a higher temperature during the final rinse and an extended drying phase.



SHORT TIME

Reduces the programme duration by 30% without diminishing the washing results.



DISTRIBUTED HALF LOAD

For loading half the table settings distributed among the various racks, while ensuring the same washing efficacy with reduced consumption.

INSTALLATION

New spacers and a new end of installation kit have been designed for correct installation even in more difficult environments and locations. The new spacers, pre-installed during manufacturing on the sides of each dishwasher, increase the width by approximately 2-3 mm on each side so that the product is automatically placed in the centre of its slot.

The optional new end of installation kit, on the other hand, helps with the final stages of installation which are often critical by fixing the front and rear base and the kitchen end panel to the dishwasher. Clear, full instructions are given in the new instruction booklet. For store display, special feet on the base have been designed which stop the door from tilting when being opened.

SAFETY

To eliminate any risk of flooding, a safety system has been designed which can stop the water flow at the mains supply point.

Water Detector controls the amount of water in the dishwasher whereas if there is too much foam or the filter is clogged, the new Virtual Sensor intervenes. This can adjust motor speed and water supply to solve the problem without stopping the wash cycle.

There is also an additional safety level, **Water Stop**: a dual chamber pipe designed to withstand wear and tear and pressure 30 times higher than the pressure in domestic water systems.





LFB5M019 AUS / LFB5M019X AUS

60CM FREESTANDING DISHWASHER

- 14 place settings
- 49 noise dB(A)
- 11.8L per wash
- 5 Wash Programs:
 - Express 40°C
 - Intensive
 - Normal
 - Delay
 - Half Load
- Top basket with adjustable slides
- Concealed heating element
- Overflow safety device
- New Aqua Stop - Anti-Flooding Protection in the event of a supply hose rupture.
- Colour: White / Stainless steel



LFF 8M 122 AUS / LFF 8M 122X AUS



60CM FREESTANDING DISHWASHER

- 14 Place Settings
- 8 Wash Programs: Auto Fast, Auto Intensive, Auto Normal, Duo Wash, Eco, Express 30 & Soak
- Zone Wash: 2
- Digital Display
- Concealed heating element
- Fold down prongs & flexible baskets
- Overflow safety device
- Cutlery Basket
- Noise level: 42dB
- 9.7L per wash
- Colour: White / Stainless steel



LFF8M 132 C AUS / LFF8M 132 CX AUS



60CM FREESTANDING DISHWASHER

- Digital Display
- 8 Wash Programs: Auto Fast, Auto Intensive, Auto Normal, Duo Wash, Eco, Express 30, Extra Dry & Soak
- 14 Place Settings
- Zone Wash: 2
- Concealed heating element
- Fold down prongs & flexible baskets
- Pull out cutlery tray
- Cutlery basket
- Noise level: 42dB
- 9.8L per wash
- Overflow safety device
- Colour: White / Stainless steel



LFD11S 1230X AUS



60CM FREESTANDING DISHWASHER

- 15 place settings
- Digital LED display
- 3 Zone wash
- Active Oxygen*
- 11 Wash Programs: Trio Wash, Delicates Baby Cycle, Daily 60°C, Eco, Normal Rapid 27', Good night 50°, Self Clean 65° Soak, Express 30
- Pull out cutlery draw
- Flexible third rack
- New telescopic guide system
- Large top and bottom cutlery basket
- Turbo Dry
- Concealed heating element
- 10.6L per wash
- New Aqua Stop – Anti-Flooding Protection in the event of a supply hose rupture.
- Colour: Stainless steel

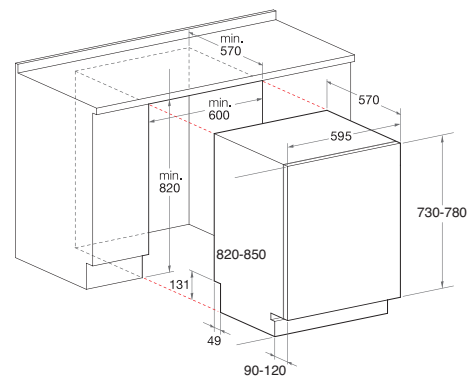


LTB 6M019 AUS

FULLY INTEGRATED

- 14 place settings
- Digital LED display
- 49 noise dB(A)
- 12L per wash
- 6 programmes:
 - Daily
 - Half load
 - Intensive
 - Normal
 - Express '40
 - Soak
- Missing salt signal
- Missing sparkling aid signal
- Upper rack adjustment system: Lift up
- Upper rack sliding system: Super Sliding
- Type of lower rack: 4 Foldable

*Maximum height of unit is 850mm underbench



SPECIFICATIONS

Model	LTB 6M019AUS	LBF 5M019 AUS / X AUS
Type	Integrated	Freestanding
Finish		White or Stainless
Interface	LED	LED & KNOB
No: Of Programs	6	5
No: Of Place Settings	14	14
Noise Level (Db)	49	49
Cycles	Daily, Express 40', Half Load, Intensive, Normal & Soak	Intense, Normal, Delay, Soak, Express 40', and half load
Tab Ready	Yes	Yes
Delay Start	No	Yes
Half Load	Yes	Yes
Wash Cycle Phase Indicator	Yes	Yes
Drying Type	Heat	Heat
Adjustable Basket	No	Yes
Sliding Cutlery Basket	Yes	No
Cancelled Heating Element	Yes	Yes
Fold Down Tines	Yes	Yes
Water Supply	Cold	Cold
Aqua Stop	Yes	Yes
Supply Voltage	220-240 V	220-240V
Supply Frequency	50 Hz	50Hz
Absorbed Current	10 A	10 A
Water Rating	4.5 Star	4.5 Star
Water Consumption	12L	11.8L
Energy Rating	3 Star	3 Star
Energy Consumption	386kW/h annually	386kW/h annually
Height	820 mm	850 mm
Width	595 mm	600 mm
Depth	570 mm	600 mm
Warranty	2 years	2 years



Model	LFF 8M122 /X AUS	LFF8M132 AUS/ C AUS	LFD11S 123 OX AUS
Type	Freestanding	Freestanding	Freestanding
Finish	White Or Stainless	White Or Stainless	White Or Stainless
Interface	Digital	Digital	Digital LED
No: Of Programs	8	8	11
No: Of Place Settings	14	14	15
Noise Level (Db)	42	42	43
Cycles	Auto Fast, Auto Intensive, Auto Normal, Delicates, Duo Wash, Eco, Express 30', Soak	Auto Fast, Auto Intensive, Auto Normal, Duo Wash, Eco, Express 30, Extra Dry & Soak	Trio Wash, Delicates, Baby Cycle, Daily 60°C, Eco, Normal, Rapid 27', Good night 50°, Self Clean 65°, Soak, Express 30
Zone Wash	Duo Zone wash	Duo Zone wash	3 Zone Wash
Active Oxygen	-	-	Yes
Tab Ready	Yes	Yes	Yes
Delay Start	Yes	Yes	Yes
Half Load	Yes	Yes	Yes
Wash Cycle Phase Indicator	Yes	Yes	Yes
Drying Type	Fan	Fan	Fan
Adjustable Basket	Yes	Yes	Yes
Sliding Cutlery Basket	Yes Lower	Yes Lower	Yes Upper
Cancelled Heating Element	Yes	Yes	Yes
Fold Down Tines	Yes	Yes	Yes
Water Supply	Hot Or Cold	Hot Or Cold	Hot Or Cold
Aqua Stop	Yes	Yes	Yes
Supply Voltage	220-240V	220-240 V	220-240V
Supply Frequency	50Hz	50Hz	50Hz
Absorbed Current	10A	10A	10A
Water Rating	5.5	5.5	5.5
Water Consumption	9.7L	9.8L	10.6L
Energy Rating	3.5	4	3.5
Energy Consumption	263	220	282
Height	850	850	850
Width	600	600	600
Depth	600	600	600
Warranty	2 years	2 years	2 years

Ariston reserves the right to change technical specifications without notice.



www.aristonbrand.com
www.facebook.com/aristonbrand

ARISIT PTY LIMITED (Australia)

ABN 23 091 515 294

40-44 Mark Anthony Drive
Dandenong South VIC 3175

P: Sales: 1300 762 219 - Service: 1300 815 589

F: Sales & Service (03) 9768 0838

E: arisit@arisit.com

W: www.arisit.com

ARISIT PTY LIMITED (New Zealand)

1A Howe Street Newton, Auckland 1145

PO Box 68-140 Newton, Auckland 1145

P: (09) 306 1020 - Fax: (09) 302 0077

E: sales2@aristonappliances.co.nz

W: www.arisit.com

All efforts have been made to ensure that the information provided in this brochure is correct at the time of printing. Due to continuous product improvement and ongoing development, Ariston reserves the right to make changes to the products and technical data without prior notice. Some products appearing in this brochure may be for illustrative purposes only. Diagrams are indicative measures only. Prior to commencing cabinetry cutouts the operating/ installation instructions accompanying the product must be referred to at www.aristonbrand.com

ALL ARISTON COOKING PRODUCTS CARRY A
TOTAL PEACE OF MIND 5 YEAR WARRANTY